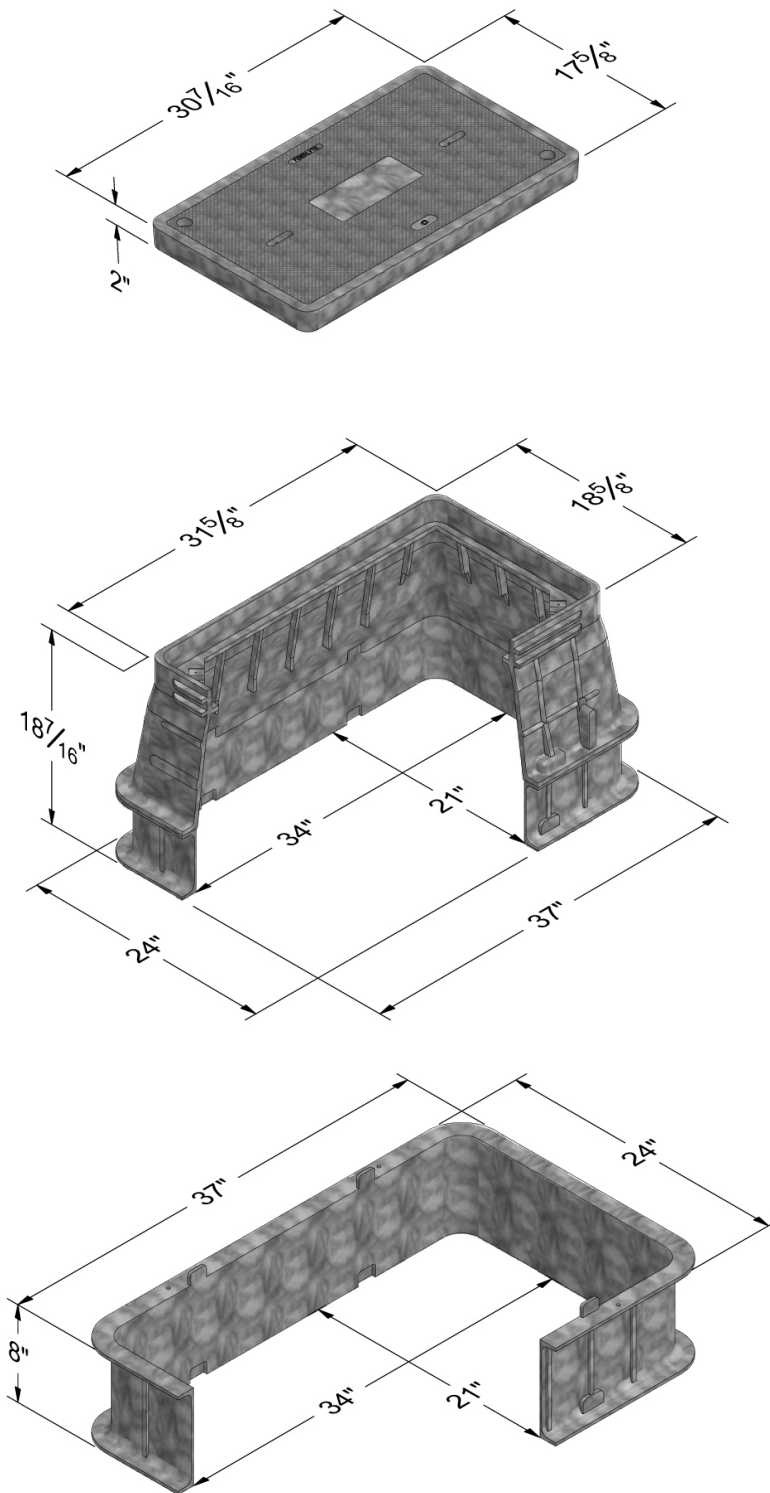


FL36



COVER:

Style: Flush Solid
 Material: Composite
 Model: 17" x 30"
 Weight: 35 lbs
 Std. Fasteners: 3/8-16 Stainless Steel Hex Head Bolt, Washer and Floating Nut
 Options: Logos and Special Markings
 Surface: Slip Resistant & Marked*
 Coefficient of Friction: >0.6 ASTM 1028
 Performance: ANSI/SCTE-77 Tier 8, WUC 3.6, ASTM C857 A-8

BODY:

Material: Composite
 Model: 17" x 30"
 Weight: 12" Depth: 40 lbs
 18" Depth: 52 lbs
 20" Depth: 58 lbs
 Wall Type: Flared
 Performance: ANSI/SCTE-77 Tier 8, WUC 3.6, ASTM C857 A-8

EXTENSION:

Material: Composite
 Size: 6", 8" Depth
 Performance: ANSI/SCTE-77 Tier 8, WUC 3.6, ASTM C857 A-8



Medium Duty:
Non-deliberate Traffic

For use in non-vehicular traffic situations only.

Actual load rating is determined by the box and cover combination. Weights and dimensions may vary slightly.

Rev 12/2016 ©2016 Oldcastle, Inc.

* Cover comes standard with permanent markings for manufacturer, load rating, model size and manufacturing location.

Contact your Oldcastle Enclosure Solutions Distribution Center for specific information and additional options.

FL36

Options:

Available Composite Covers:

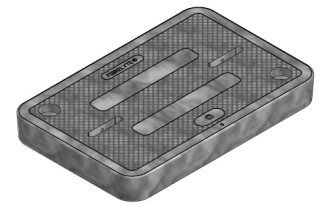
Flush Solid (Standard)

Fastener Options for Composite Covers:

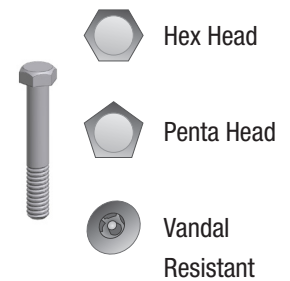
- Penta Head Bolt
- Oldcastle Enclosures Vandal Resistant Bolt
- Penta Coil Thread Bolt
- Captive Bolt Retainer

Add on Options:

Mouseholes/Knockouts



Composite Cover



Hex Head

Penta Head

Vandal Resistant

Raw Material Specifications:

Standard Test Method	Properties of Raw Material	ASTM Designation	Typical Value
Compressive Strength of Polymer Concretes	Compressive Strength	C 579	> 11,000 psi
Flexural Properties of Plastic Materials	Flexural Strength	D 790	> 3,000 psi
Resistance of Plastics to Chemical Reagents	Chemical Resistance	D 543	Retain > 75% of original strength
Impact Resistance by Means of a Falling Weight	Impact Resistance	D 2444	> 70 ft-lb
Static Coefficient of Friction	Friction Coefficient	C 1028	> 0.6

ASTM Specifications shall be the current revision
Test Reports available on request

The Rural Utility Service (RUS) is a department of the US Department of Agriculture organized to facilitate rural developments. You will find Oldcastle Enclosure Solutions brand enclosures listed by the RUS. All Oldcastle Enclosure Solutions brand enclosures conform to the RUS "Tamper Resistant" fastener design for buried pedestals.

Product Load Rating:



Medium Duty : Non-deliberate Traffic
For use in non-vehicular traffic situations only.

Note:

Actual load rating is determined by the box and cover combination. Weights and dimensions may vary slightly
All information contained on this sheet is current at the time of printing.
Oldcastle Precast, Inc. reserves the right to discontinue or update product information without notice.

